

KombiSIGN 71 / Terminal Element
Terminal element M12 8-Pole BK


Part No.:	640.880.00
Series:	KombiSIGN 71

**MECHANICAL DATA**

Height	59 mm
Diameter	70 mm
Materials	PA-GF PC
Housing colour	Black
Protection category	IP65
Connection	M12 plug 8-pole
Type of fixing	Base mounting Tube mounting
Working temperature minimum	-30°C
Working temperature maximum	+60°C
Weight with packaging	100 g
Product weight	79 g

ELECTRICAL DATA

Operating voltage	10-31,6V
Operating voltage type	DC
Operating voltage tolerance	+/- 0%
Protection class	Protection class 3
Pollution degree	3
Current carrying capacity	2A

APPROVAL DATA

Conforms with CE	Yes
WEEE	Yes
Conforms with RED directive	No
Conforms with ATEX-directive	No
Conforms with CCC	No
Conforms with UL	cULus
UL Type Rating	Type 12
Conforms with FCC	No
Conforms with IC	No
EAC certificate available	Yes
Conforms with UKCA (Importer)	Yes (WERMA (UK) Ltd.)
Conforms with CMIM	No
Conforms with AS-I	No
Conforms with DNV	No
Conforms with RoHS CN	No
Conforms with VdS	No

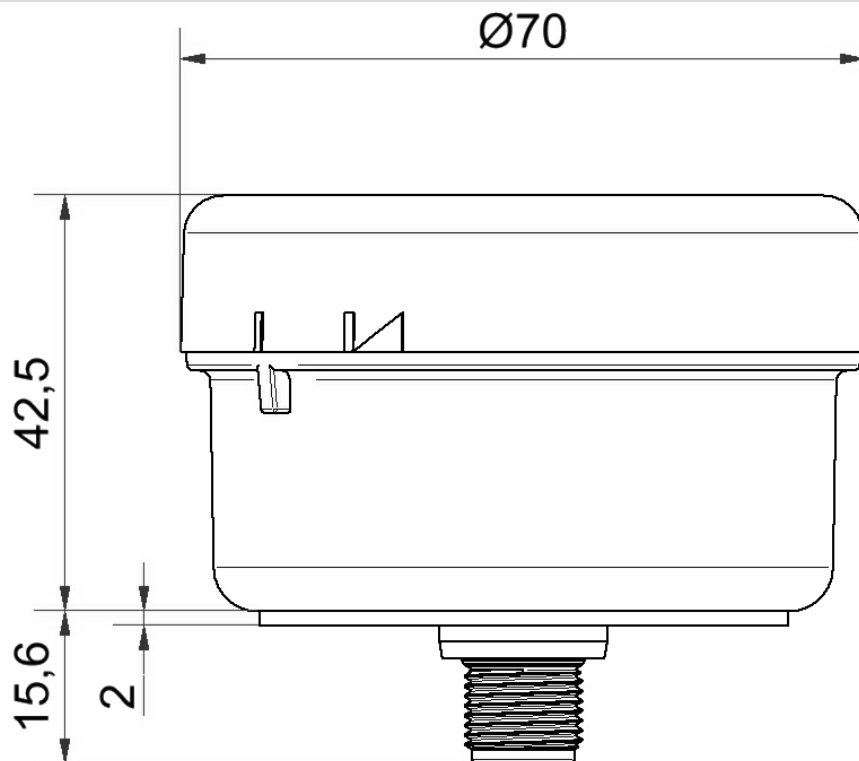


For additional installation and mounting information, refer to the appropriate user guide at www.werma.com. This printed copy is for information only and is subject to alteration.

KombiSIGN 71 / Terminal Element

Terminal element M12 8-Pole BK

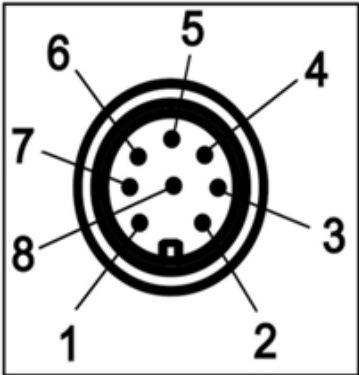
DRAWING



For additional installation and mounting information, refer to the appropriate user guide at www.werma.com. This printed copy is for information only and is subject to alteration.

KombiSIGN 71 / Terminal Element
Terminal element M12 8-Pole BK

TERMINAL ASSIGNMENT

640 880 00	Pin-Belegung/Pin-assignment	
<p style="text-align: center;">8-pin A-coded</p> 	M12 Pin	Stufe / Tier
	1	1
	2	2
	3	3
	4	4
	5	5
	6	---
	7	COM
	8	---

! For additional installation and mounting information, refer to the appropriate user guide at www.werma.com. This printed copy is for information only and is subject to alteration.